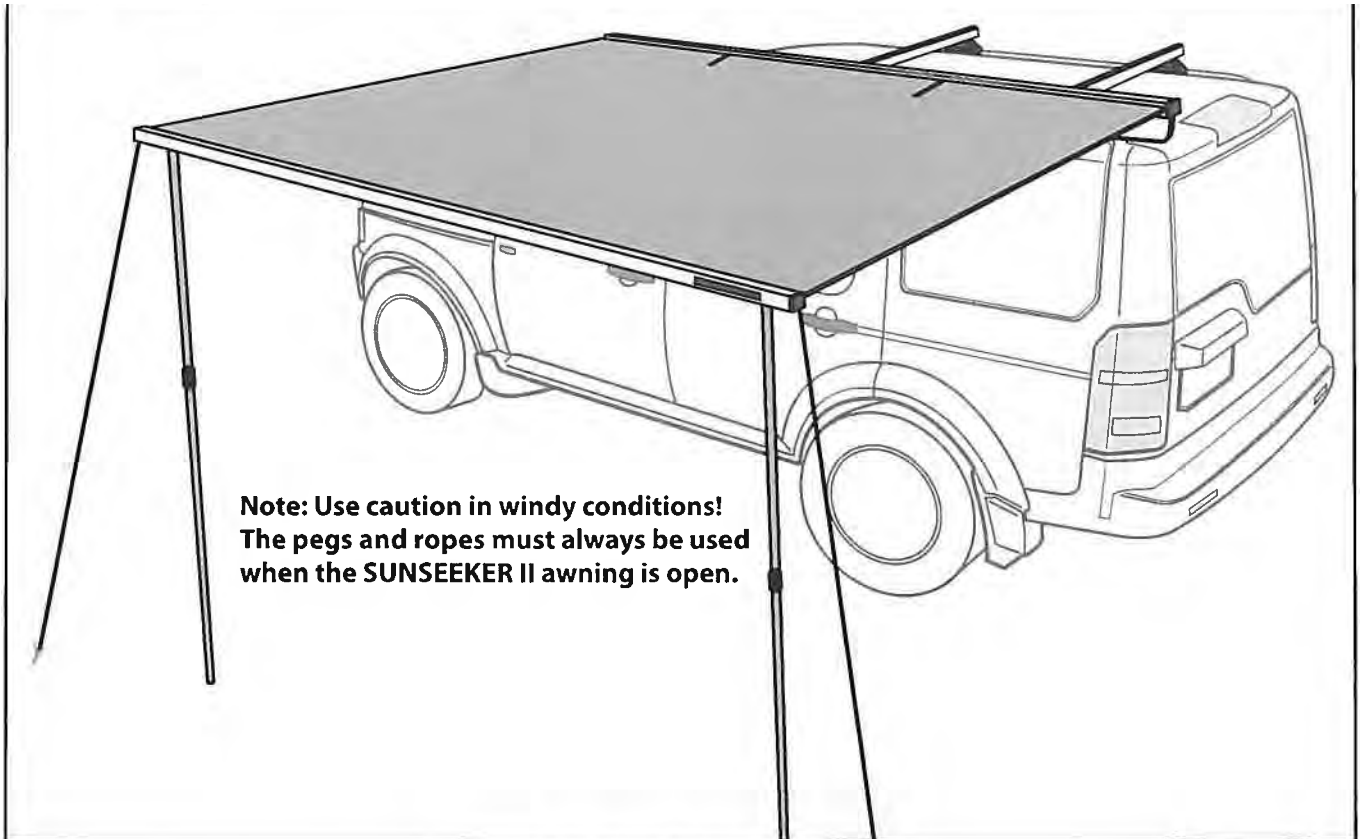


Important: Please read these instructions carefully prior to installation. Please refer to your fitting instruction to ensure that the roof racks are installed in the correct locations. Check the contents of kit before commencing fitment and report any discrepancies. Place these instructions in the vehicle's glove box after installation is complete.

Layout



Important Information

To operate the wind out awning

First - Read full instructions

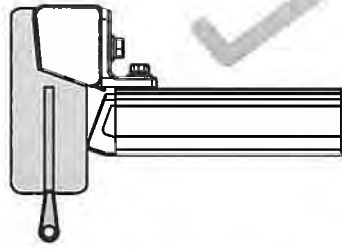
Ensure it is not windy and do not leave it unattended.

Always fold away after use and before going to bed.

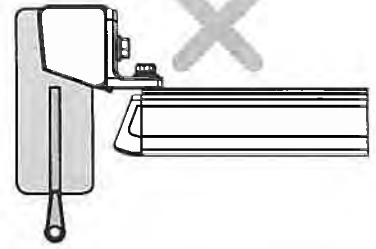
- IT TAKES TWO PEOPLE TO OPERATE THE AWNING

Reminder: You are responsible for damage caused to the awning.

Ensure that the awning sits within the bar end

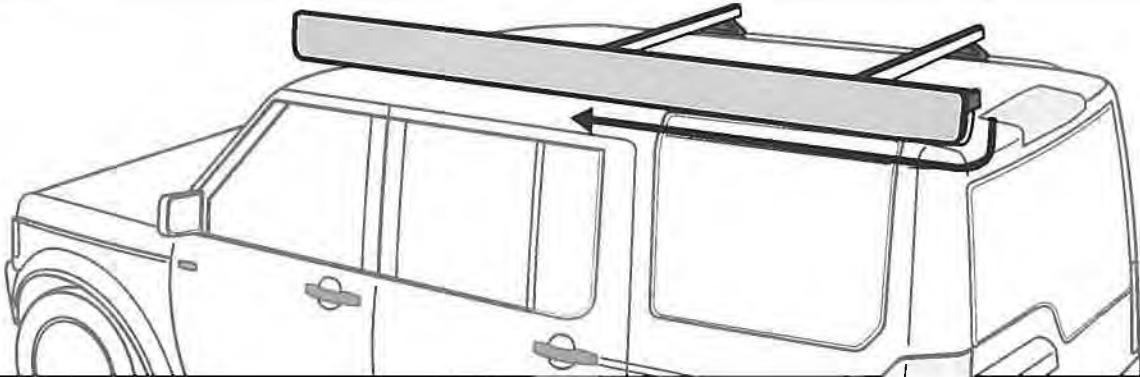


The awning must not sit further out than the bar end

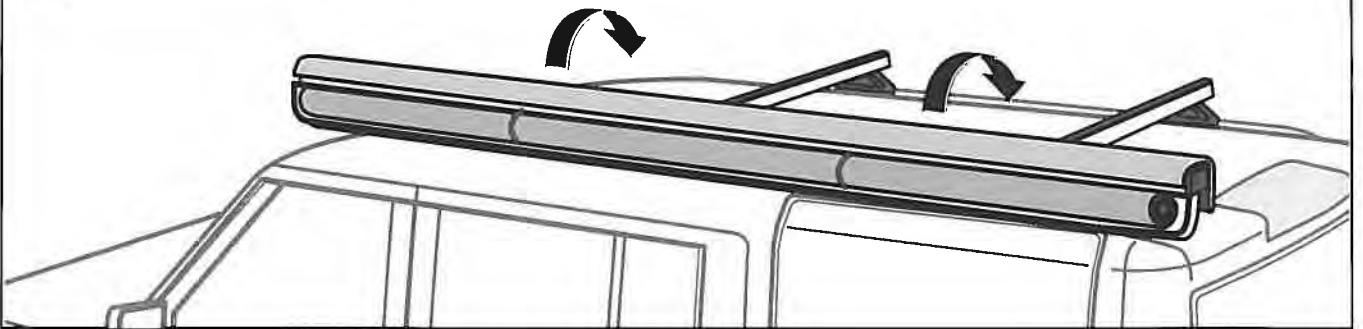


Operation Instruction

1

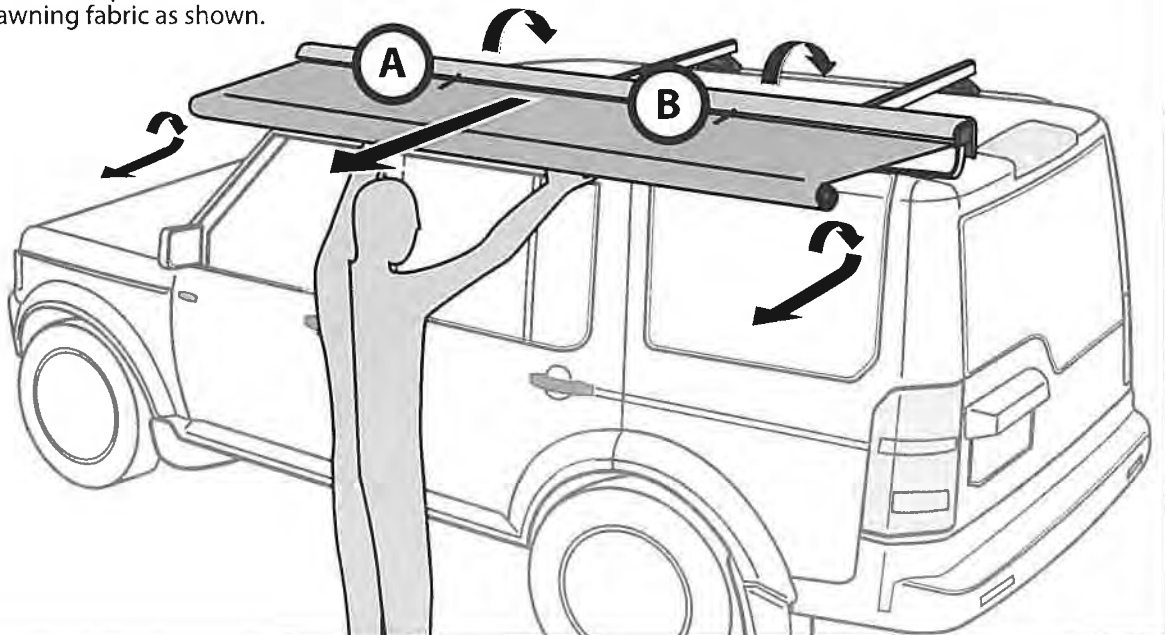


2



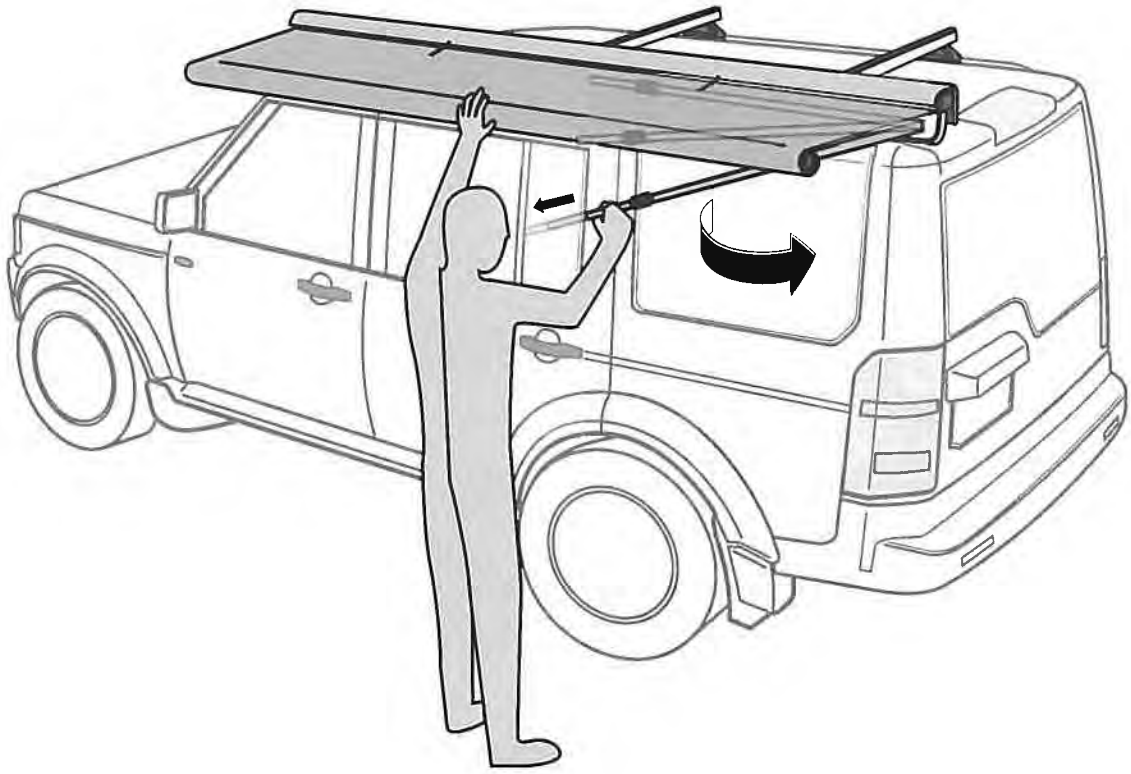
3

Undo the velcro straps at (A) and (B).
Unroll the awning fabric as shown.



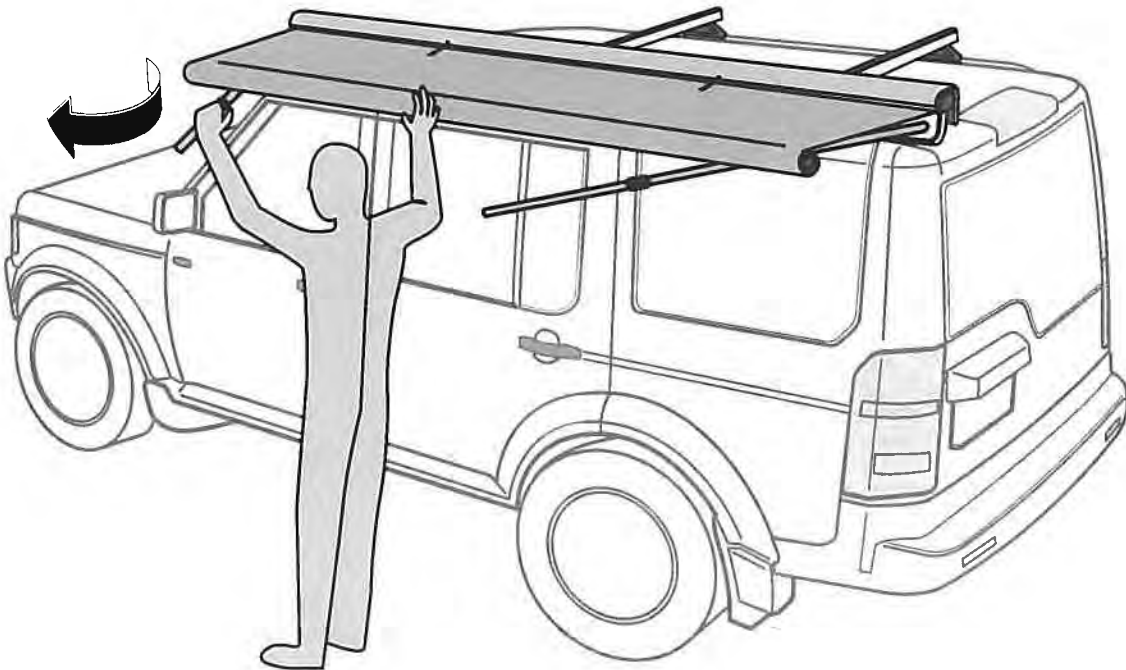
4

Swing the side pole outwards, loosen and extend inner pole as shown.

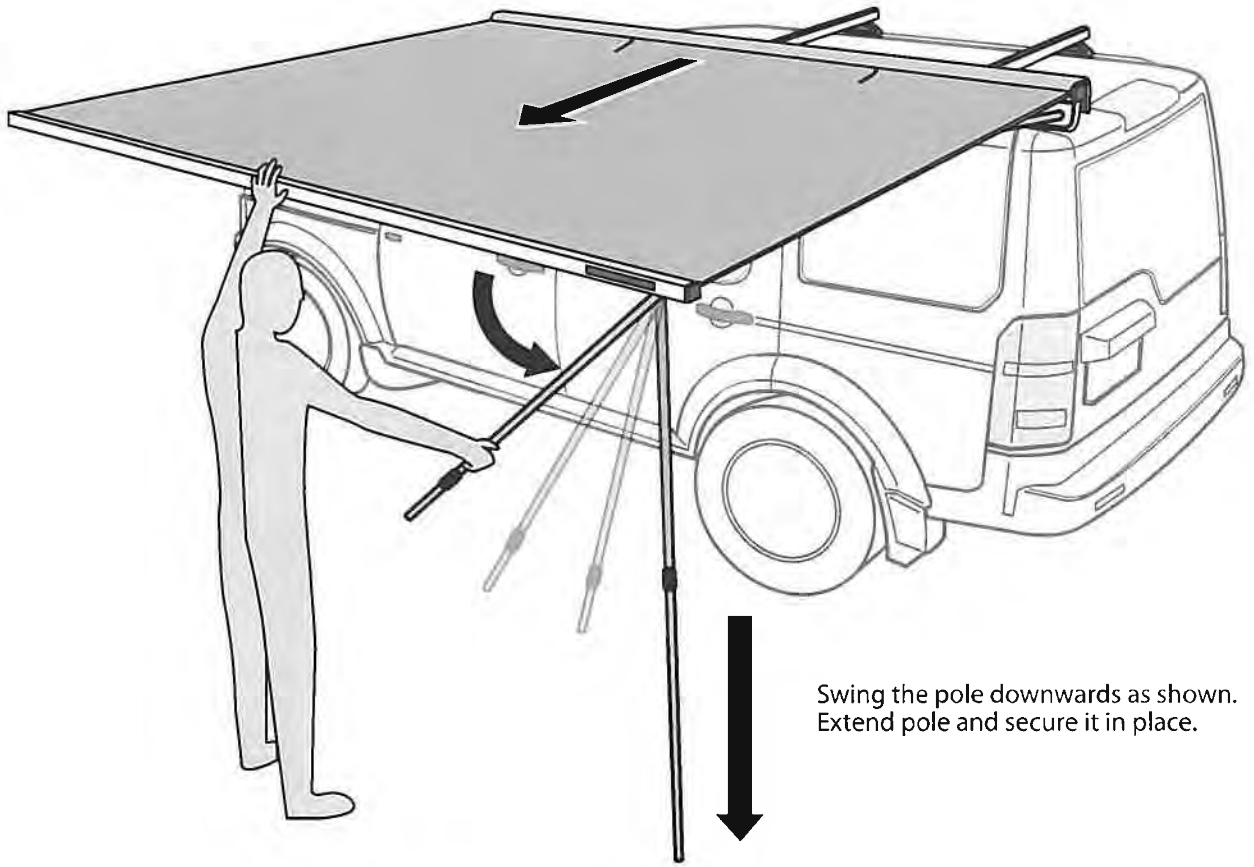


5

Repeat for the other side.

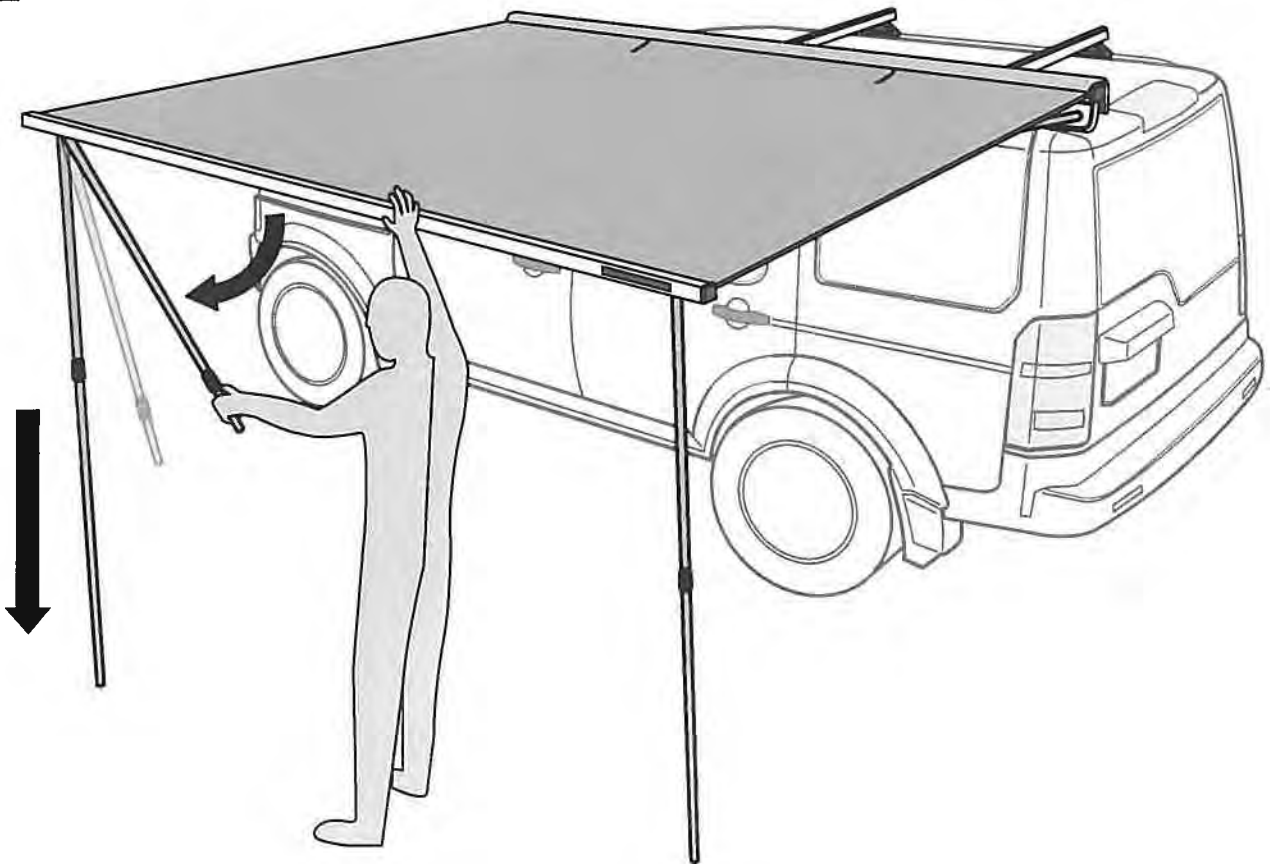


6



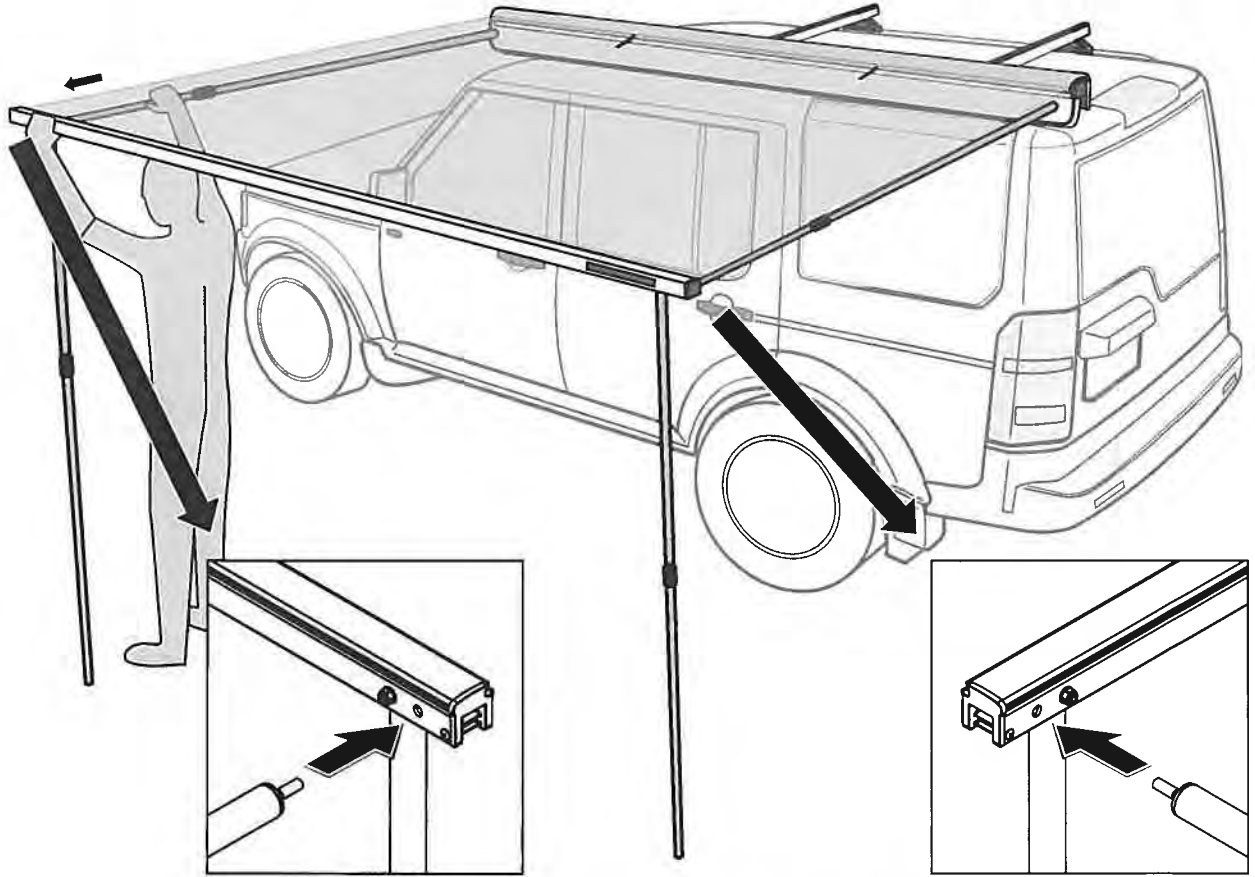
Swing the pole downwards as shown.
Extend pole and secure it in place.

7

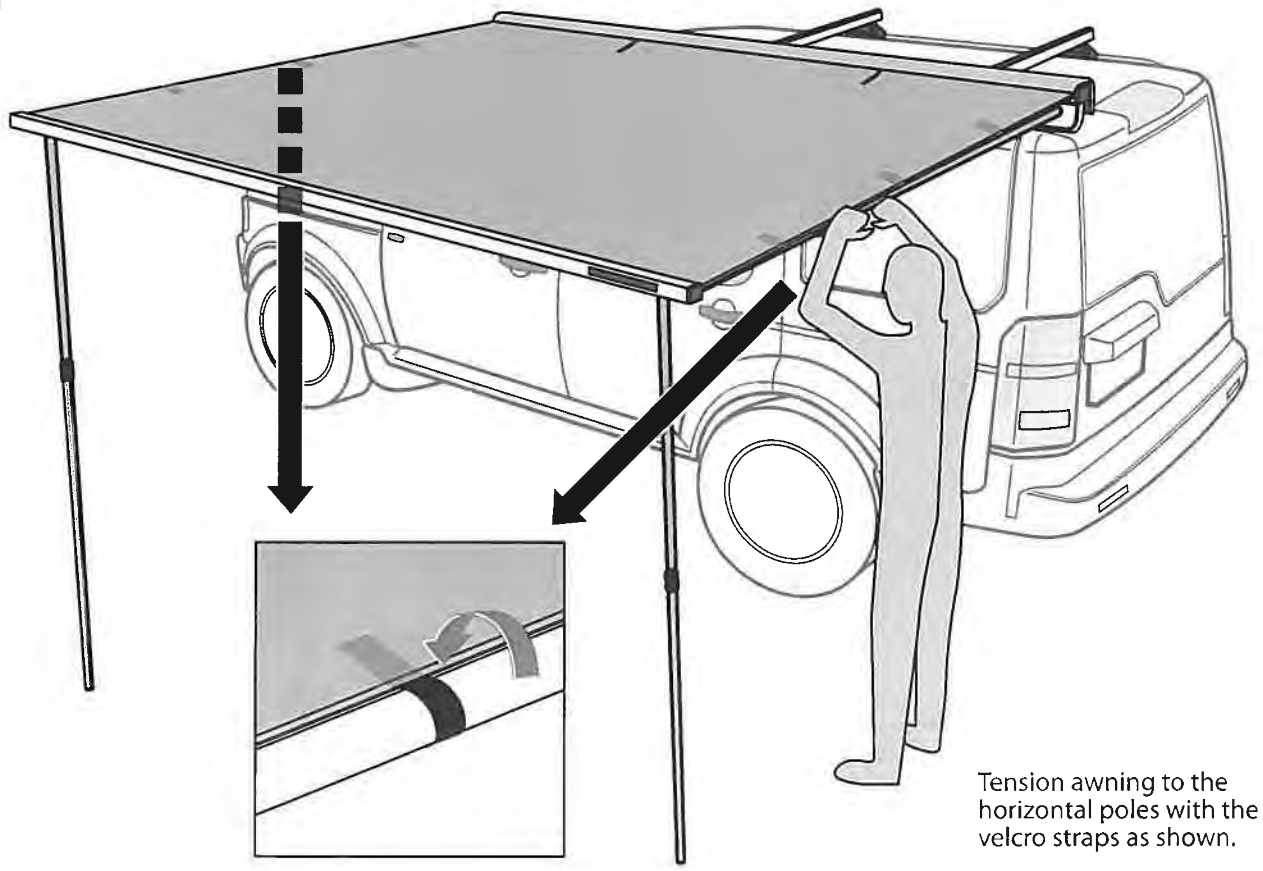


8

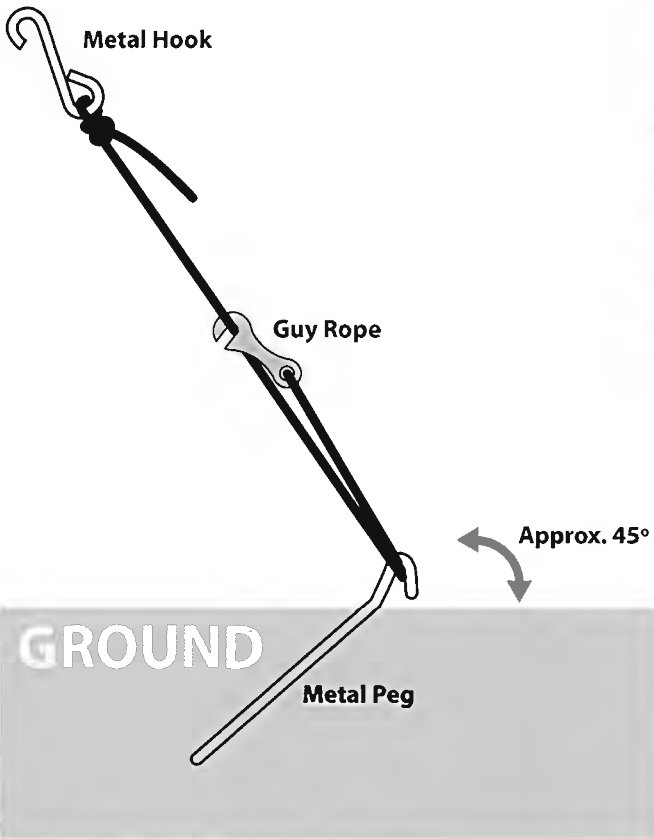
Extend each inner pole into the opposite bar as shown. Apply outward pressure, then twist and lock pole into position. Repeat on the other side.



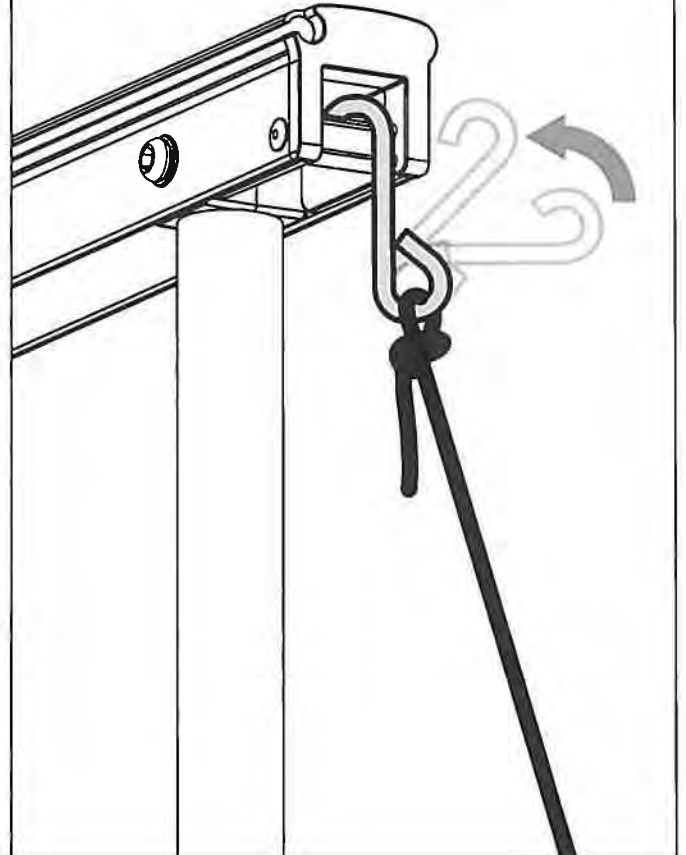
9



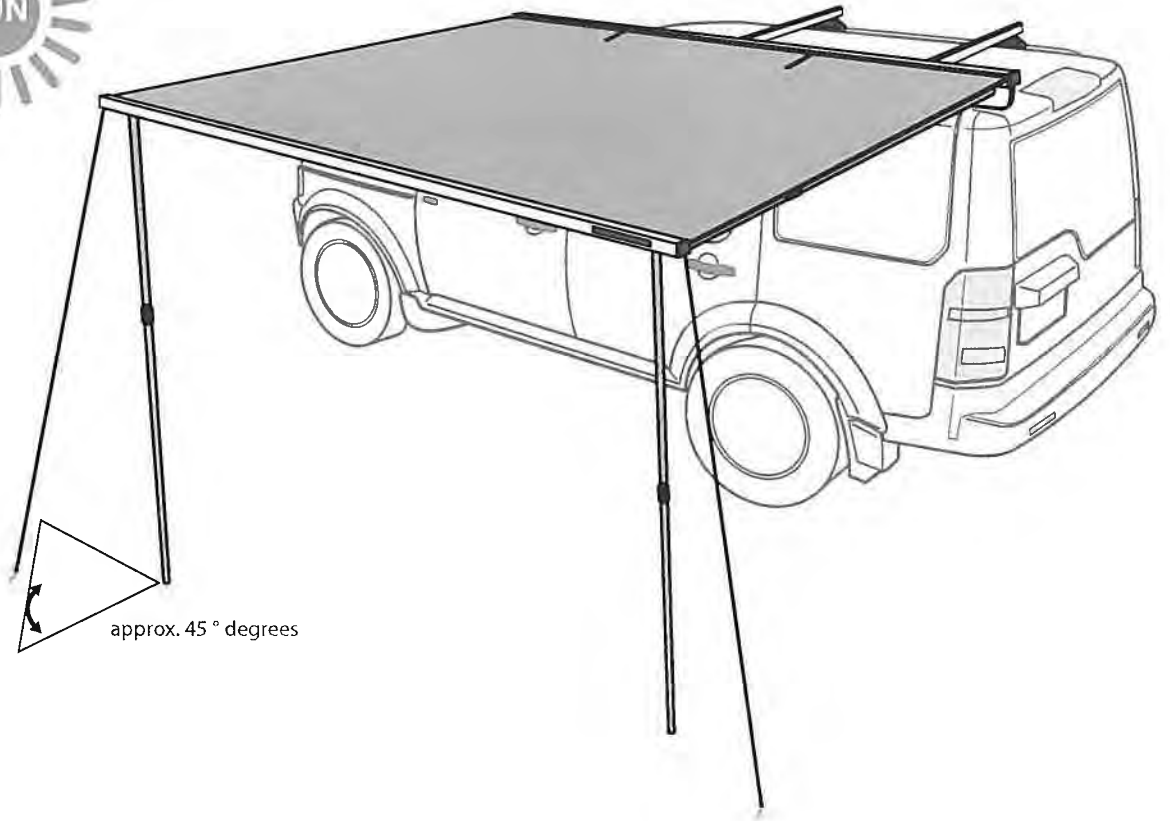
10



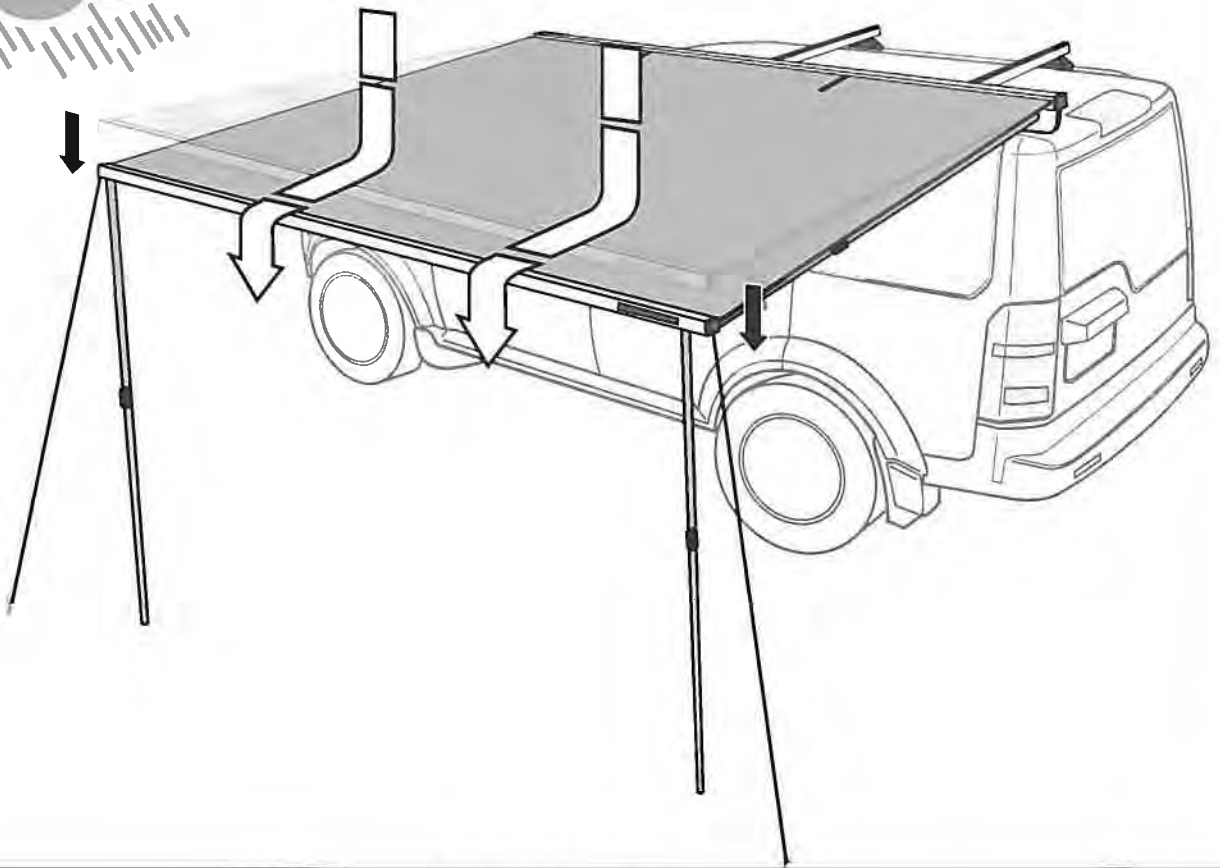
11



12

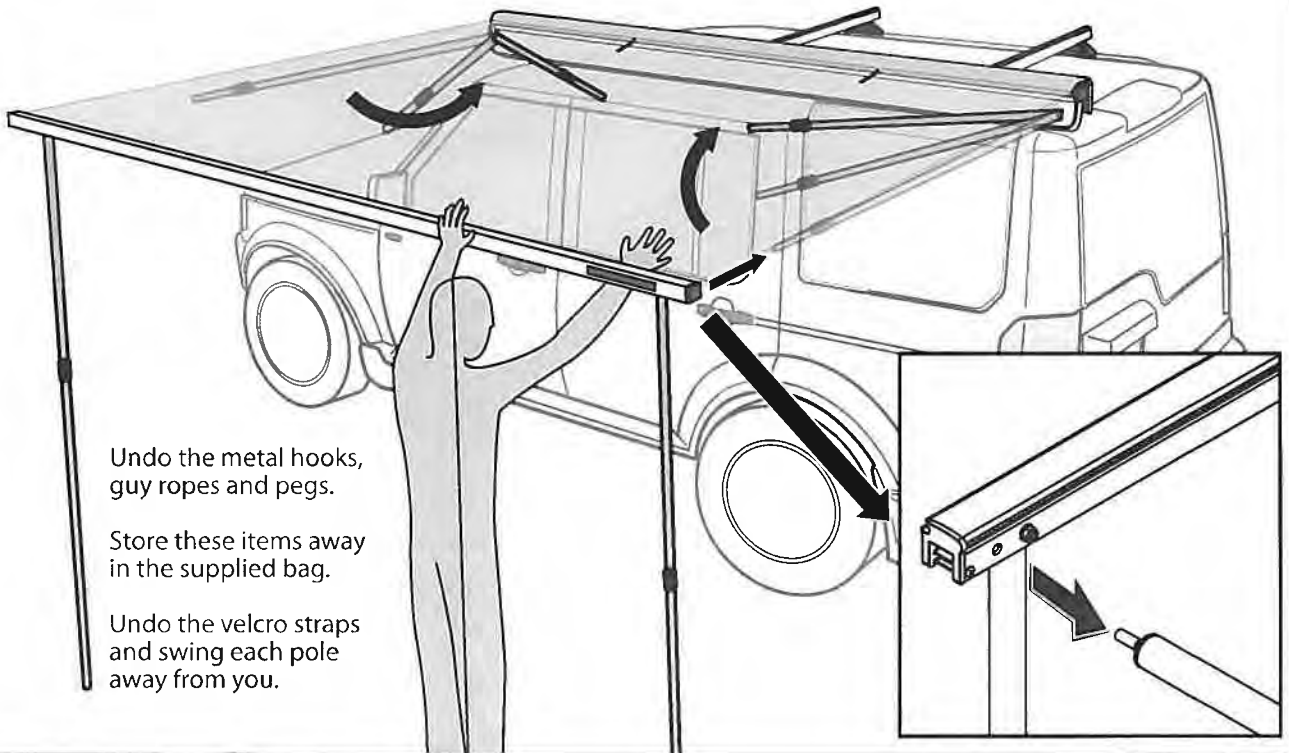


13



Storing Instruction

14

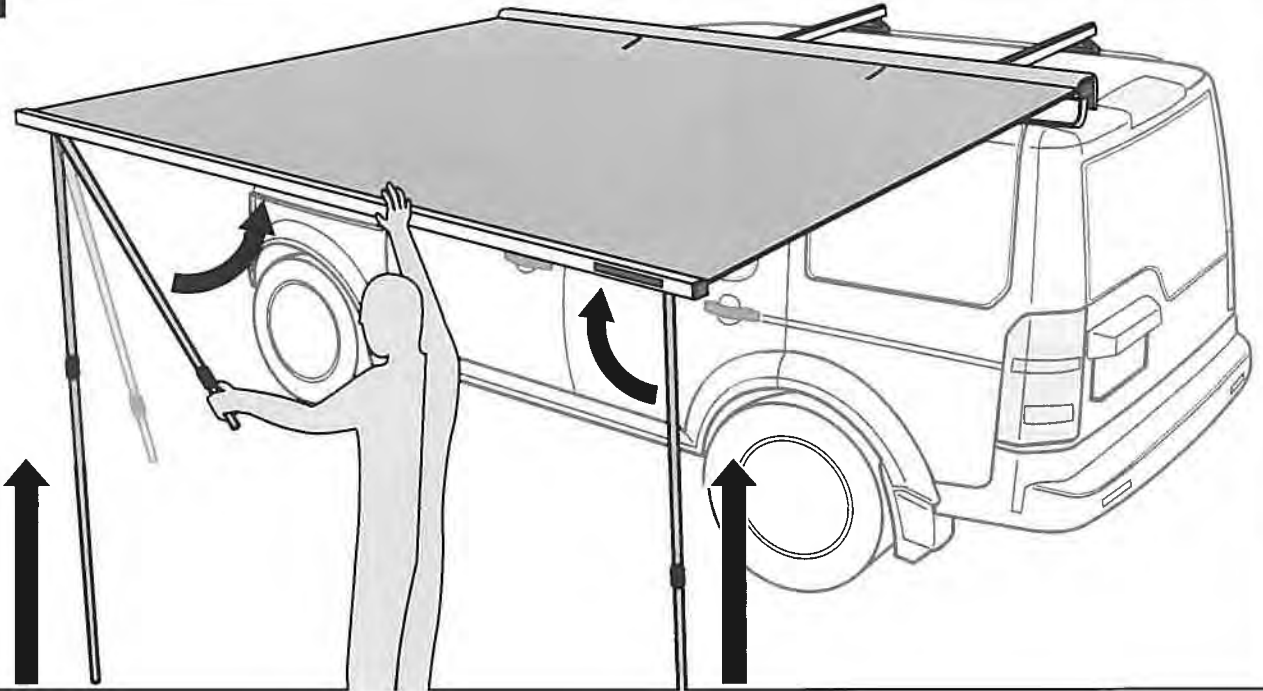


Undo the metal hooks,
guy ropes and pegs.

Store these items away
in the supplied bag.

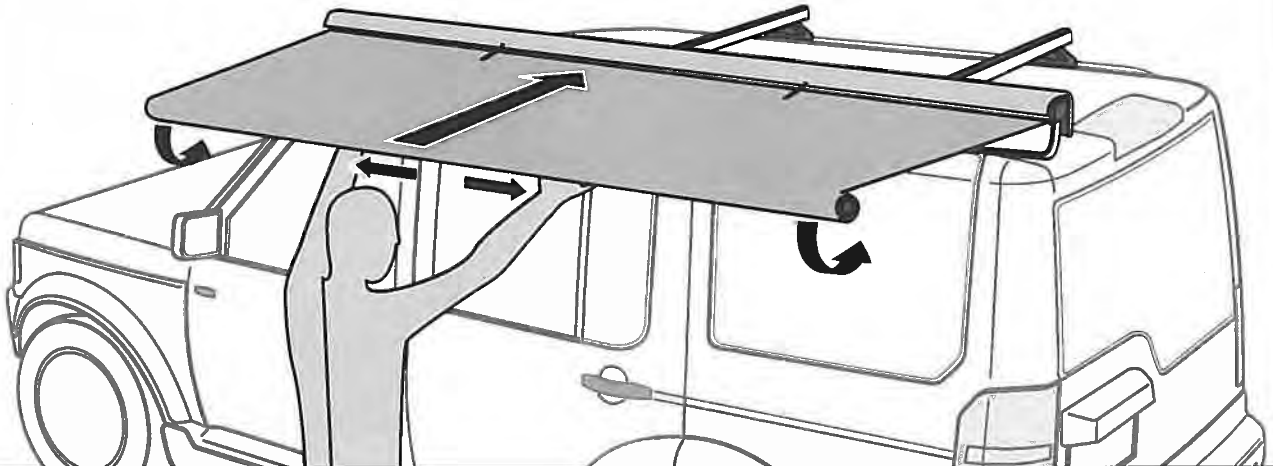
Undo the velcro straps
and swing each pole
away from you.

15



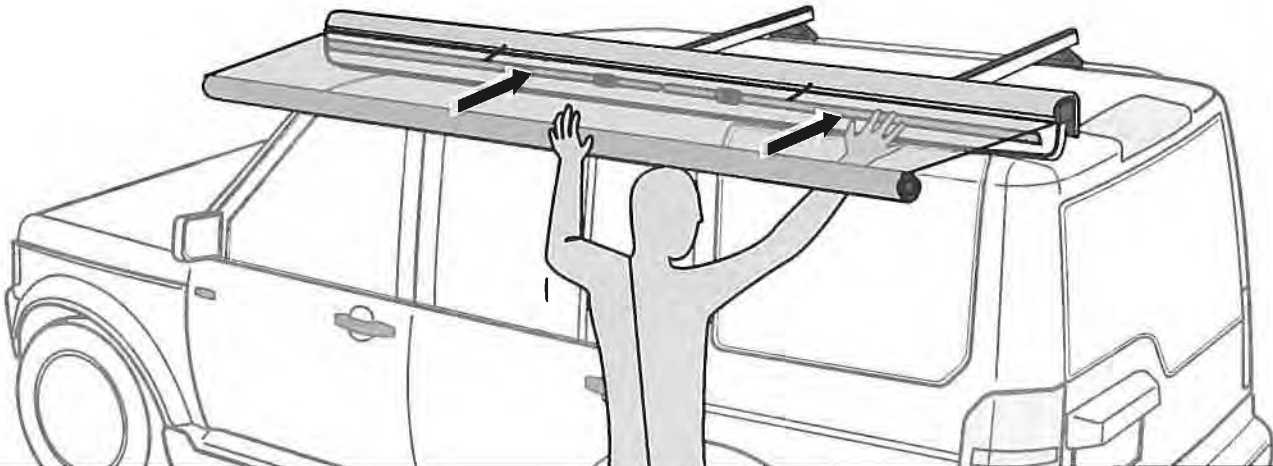
16

Place your arms wide apart and pull the fabric towards you as you roll it up. This will help to align the awning fabric and keep it rolled up neatly.



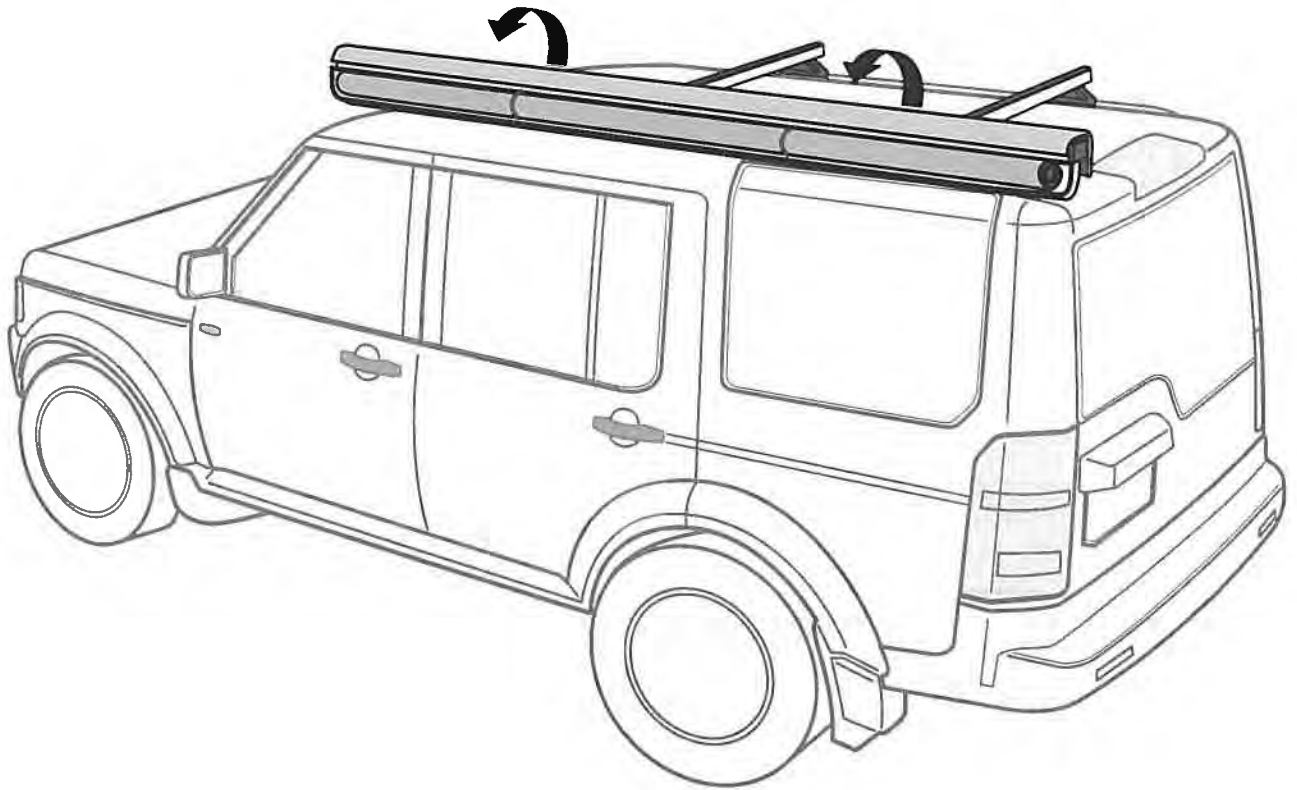
17

Push the horizontal poles into the recess in the bar. Secure awning with velcro straps.



18

Place the cover over the secured awning.



19

Zip up the awning when not in use.

